



SWING GATE TURNSTILES GV-5000 Series

With motorized function in both directions, GateSet Exclusive Line GV-5000 Series Swing Gate Turnstiles provide an alternative way of regulating pedestrian traffic in access points which require an elegant design and robustness against high frequency usage. GV-5000 Series is compatible with international wheelchair standards thanks to passage width provided up to 90 cm. Its 15 mm thick Plexiglass swing arm provides safety against breaking while maximizing robustness. GV-5000 Series is an ideal option for access control points with high aesthetic value and a requirement for budget-friendly solution.

ExclusiveLineGV-5000Datasheet v.2.0

Functional Highlights



Motorized Movement



Bidirectional



Indoor



Security / Comfort



30 Passages / min

Usage Areas

Access Control Access Restriction
Business Centers
Government Offices
Sport Centers
Industrial Plants

Featured Characteristics

Reliable Low maintenance requirement, long product life

Robust Manufactured from 3 mm 304 grade stainless steel 15 mm thick Plexiglass arm

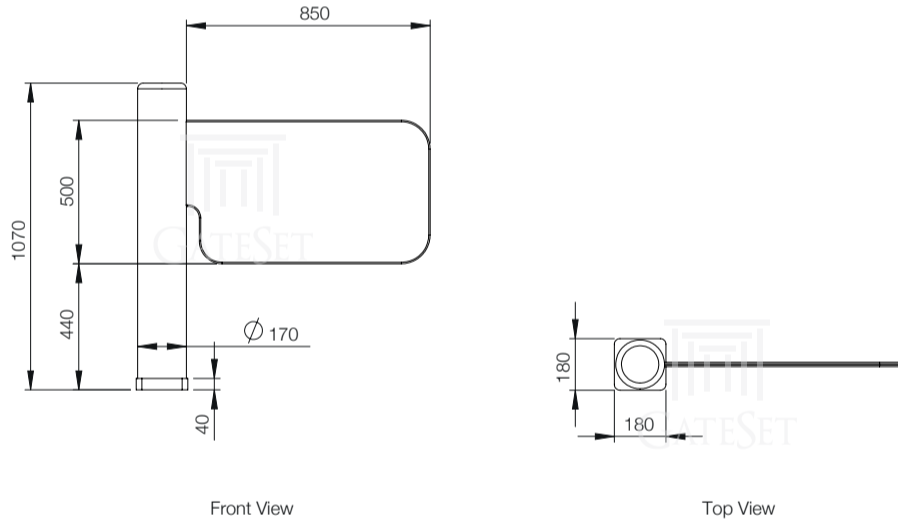
Functional Bidirectional motorized movement allows passage in both directions

Customizable Printing of chosen logo is available with Plexiglass obstacle

Exclusive Design Aesthetic outfit with satin finishing

ExclusiveLineGV-5000Datasheet v.2.0

Drawings and Dimensions*



Subject to change depending on design or project needs without prior notice

Technical Specifications*

MATERIAL - MAIN BODY 3 mm 304 grade stainless steel

MATERIAL - SWING ARM 15 mm illuminated safety Plexiglass

TREATMENT - OTHER PARTS All other parts are coated against corrosion

DIMENSIONS (mm) 180 x 1030 x 1070 (WxLxH)

SWING ARM LENGTH (mm) 850 mm

OPERATING VOLTAGE 115-240 V AC / 24V DC - 50-60 Hz

NOMINAL / MAX. CURRENT 100 mA / 500 mA

POWER CONSUMPTION 30 W

OPERATING TEMPERATURE -20°C / +70°C

ACCESS CONTROL Microprocessor based control for granting access, easy integration with all access control equipment

POSITION DETECTION Position detection with two separate micro-switches at mechanics

DIRECTIONAL MODE Bidirectional motorized operation

ROTATION CONTROL Motion start and stop are controlled by PWM

CAPACITY Handling more than 30 passengers per minute

DESIGN While aesthetic design with illuminated glass arm provides good outlook, its modularity ensures ease of installation and part replacement

CUSTOMIZATION Printing of chosen logo is available with Plexiglass obstacle

INSTALLATION Stainless steel modular installation platform/base

OPERATION SAFETY Electrical and mechanical safety for all component. To avoid injuries, all corners and sides are rounded

ELECTRICAL FAILURES Main mechanism released and unlocked automatically. Swing arm moves freely

ACCESSORIES Button Control (standard), Remote Control Receiver and Transmitter (optional)

CERTIFICATION ISO 9001:2015

WARRANTY 2 Years

* Subject to change depending on design or project needs without prior notice

ExclusiveLineGV-5000Datasheet v.2.0

Optional Accessories



Digital Counter

If required, integrated digital counter provides passage count through digital screen



Button Control Panel

Designed for ease of operation from reception or supervision desks, remote or wired options



Photocell Sensor

Gate wing is automatically opened when the Photocell Sensor beam is interrupted by a passanger



Stand-Alone Card Reader

For sites without Access Control System, seamless stand-alone card reader is available

Finishing Options

Standard 304 Stainless Steel, Satin Finishing

Optional 316 Grade Stainless Steel, Satin Finishing