

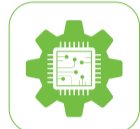


TRIO TURNSTILES GT-7600 Series

GateSet **Busy Line** GT-7600 Series Trio Turnstiles combine high durability and aesthetic design, presenting an ideal solution for areas requiring moderate level of security. Suitable of functioning both indoor and outdoor, GT-7600 Series Turnstiles are manufactured from 1.5 mm 304 grade stainless steel. With proven ability to handle massive crowds, extra strong long case design of GT-7600 ensures maximum robustness against high frequency access points such as subways and stadiums.

BusyLineGT-7600Datasheet v.2.0

Functional Highlights



Electromechanical



Bidirectional



Indoor/Outdoor



Security / Comfort



30 Passages / min

Usage Areas

Access Control
Stadiums
Subways
Concert Halls
Sport Centers
Industrial Plants

Featured Characteristics

- Elegant** - Delicately processed Satin finish on **304 Grade Stainless Steel**
- Reliable** - Heavy duty mechanics controlled by reliable electronics, ensuring **long product life** with minimal maintenance requirement
- Robust** - Case and arms manufactured from 1.5 mm thick stainless steel for maximum resistance to **high frequency usage**
- Safe** - Optional **drop arm function** which provides fast passage and evacuation in case of emergency
- Flexible** - **Ease of integration** with various access control systems thanks to its sophisticated electronic control card, which answers all demanded high-end functions

Products in this Series

GT-7600

- Flat Top design provides ease of passage
- Recommended For:
- * Handling 4,000+ users / day



GT-7640

- Angled Top design provides seamless incorporation for all reader integrations
- Recommended For:
- * Handling 4,000+ users / day



GT-7604

- Flat Top design provides ease of passage
- Recommended For:
- * Handling 4,000+ users / day
- Emergency Drop Arm Feature



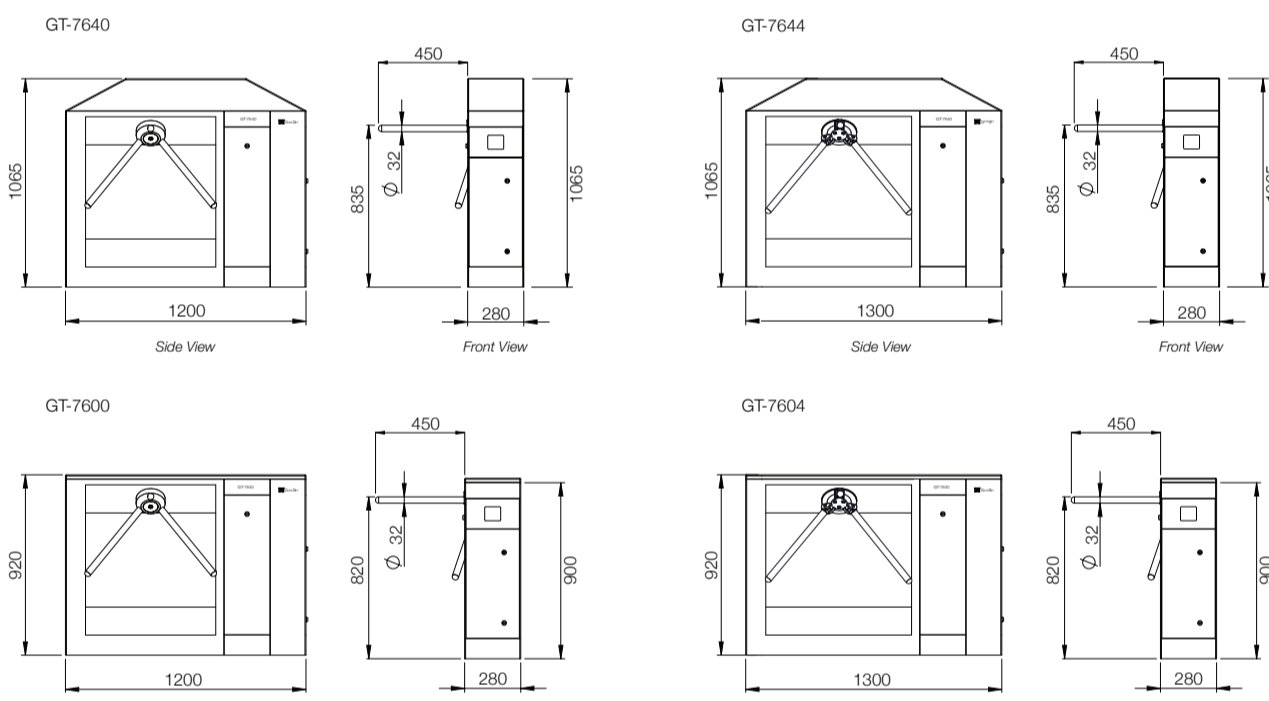
GT-7644

- Angled Top design provides seamless incorporation for all reader integrations
- Recommended For:
- * Handling 4,000+ users / day
- Emergency Drop Arm Feature



BusyLineGT-7600Datasheet v.2.0

Drawings and Dimensions



Technical Specifications

MATERIAL - MAIN BODY	1.5 mm 304 grade stainless steel, satin finishing
MATERIAL - ROTATING ARMS TREATMENT - OTHER PARTS	1.2 mm 304 grade stainless steel
DIMENSIONS (mm)	All other parts are coated against corrosion
	GT-7600: 280 x 1200 x 920 (WxLxH)
	GT-7604: 280 x 1300 x 920 (WxLxH)
	GT-7640: 280 x 1200 x 1065 (WxLxH)
	GT-7644: 280 x 1300 x 1065 (WxLxH)
ARM LENGTH (mm)	430
OPERATING VOLTAGE	115-240 V AC / 24V DC - 50-60 Hz
NOMINAL / MAX. CURRENT	250 mA / 850 mA
POWER CONSUMPTION	30 W
OPERATING TEMPERATURE	-20 °C / + 70 °C
ACCESS CONTROL	Microprocessor based control for granting access
PASSAGE COUNTER	Easy integration with all kind of access control equipment
CONTROL UNIT OUTPUTS	Integrated passage counter at Control Unit with 4 digits display.
CONTROL UNIT INPUTS	Entry/Exit/Coin Feedback Signals, 2x 12 V DC 0.3 A Power Outputs, Speaker Output
CONTROL UNIT TEST BUTTONS	Entry/Exit/Emergency Input Signals (Free Contact), RS232 Input
POSITION DETECTION	Passage Sensors and Token/Coin Unit Inputs (accessories are optional)
DROP ARM FEATURE	Entry/Exit/Emergency Operation Test and Reset Buttons integrated at Control Unit
WARNING INDICATORS	Position detection with two separate micro-switches at mechanics
	Dropping feature at each tripod arm providing ease of site evacuation in the case of emergency, in GT-7604 and GT-7644 models
DIRECTIONAL MODE	Two separate warning indicators at front and rear sides of the gate.
DIRECTIONAL MODE	Green arrow indicates "Passage Open", Red cross indicates "Passage Closed"
DIRECTIONAL MODE	6 different operational modes available, programmed by means of software
ROTATION CONTROL	Unidirectional and Bidirectional operation features as "Only Entrance", "Only Exit", "Entrance and Exit"
CAPACITY	"Self-centered and smooth operation by means of spring and hydraulic damper
DESIGN	Handling more than 30 passengers per minute
OPERATION SAFETY	While aesthetic classical case design provides good outlook, its modularity ensures ease of installation and part replacement
ELECTRICAL FAILURES	Electrical and mechanical safety for all component. To avoid injuries, all corners and sides are rounded
CERTIFICATION	Main mechanism released and unlocked automatically. Arms rotates free
WARRANTY	ISO 9001:2015, CE
	2 Years

* Subject to change depending on design or project needs without prior notice

BusyLineGT-7600Datasheet v.2.0

Optional Accessories



Passage Sensor

Sensors can be deployed on the turnstile in accordance with required functions such as real-time passage signal or unauthorized passage alarm.



Button Control Unit

Designed for ease of operation where security personnel is responsible of opening the turnstile for passengers; wired and remote options available.



Stand-Alone Card Reader

For sites without Access Control System, seamless stand-alone card reader is available.



Token Unit

Customizable token collector can be integrated to the turnstiles, system is adaptable to all token and coin types.

Finishing Options

- Standard** - 304 Stainless Steel, Satin Finishing
- Optional** - 316 Grade Stainless Steel, Satin Finishing
- Optional** - Powder Coating with Anti-Rust Layer and Heat Treatment (RAL Colours Available)

