

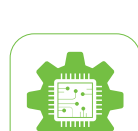


TRIO TURNSTILES GT-3400 Series

GateSet **Classic Line** GT-3400 Series Trio Turnstiles combine high durability and aesthetic design, presenting an ideal solution for areas requiring moderate level of security. Suitable of functioning both indoor and outdoor, GT-3400 Series Turnstiles are manufactured from 1.5 mm 304 grade stainless steel. With proven ability to handle massive crowds and providing double lane access with a single case, GT-3400 ensures robustness and maximum efficiency in tight and confined spaces.

ClassicLineGT-3400Datasheet v.2.0

Functional Highlights



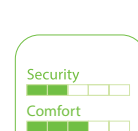
Electromechanical



Bidirectional



Indoor/Outdoor



Security / Comfort



30 Passages / min

Usage Areas

Access Control
Stadiums
Subways
Concert Halls
Sport Centers
Industrial Plants

Featured Characteristics

- Elegant** - Delicately processed Satin finish on **304 Grade Stainless Steel**
- Reliable** - Heavy duty mechanics controlled by reliable electronics, ensuring **long product life** with minimal maintenance requirement
- Robust** - Case and arms manufactured from 1.5 mm thick stainless steel for maximum resistance to **high frequency usage**
- Safe** - Optional **drop arm function** which provides fast passage and evacuation in case of emergency
- Flexible** - **Ease of integration** with various access control systems thanks to its sophisticated electronic control card, which answers all demanded high-end functions

Products in this Series

GT-3400

- Flat Top design provides ease of passage
- Recommended For:
- * Handling 4,000+ users / day



GT-3440

- Angled Top design provides seamless incorporation for all reader integrations
- Recommended For:
- * Handling 4,000+ users / day



GT-3404

- Flat Top design provides ease of passage
- Recommended For:
- * Handling 4,000+ users / day
- Emergency Drop Arm Feature



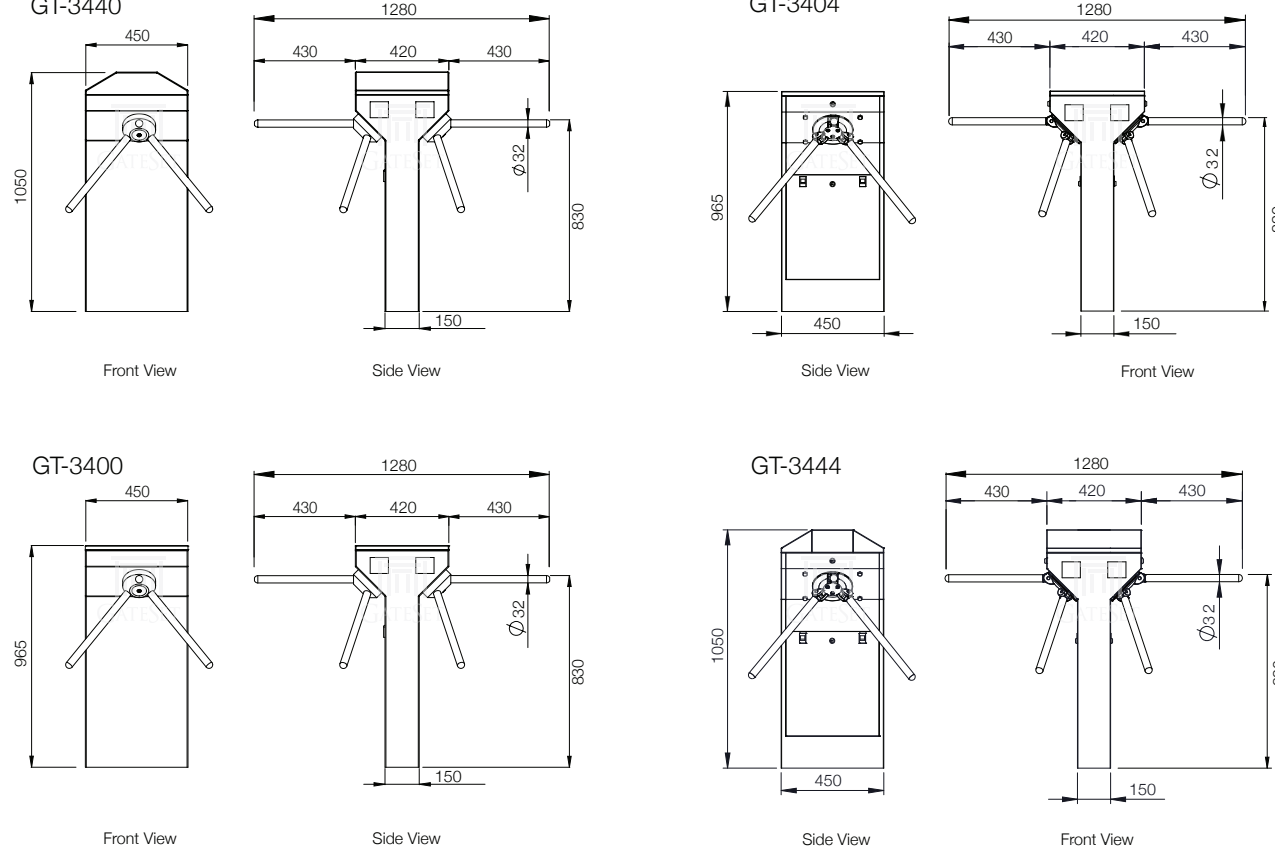
GT-3444

- Angled Top design provides seamless incorporation for all reader integrations
- Recommended For:
- * Handling 4,000+ users / day
- Emergency Drop Arm Feature



ClassicLineGT-3400Datasheet v.2.0

Drawings and Dimensions



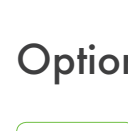
Technical Specifications

MATERIAL - MAIN BODY	1.5 mm 304 grade stainless steel, satin finishing
MATERIAL - ROTATING ARMS	1.2 mm 304 grade stainless steel
TREATMENT - OTHER PARTS	All other parts are coated against corrosion
DIMENSIONS (mm)	GT-3400: 420 x 450 x 965 (WxLxH) GT-3404: 420 x 450 x 965 (WxLxH) GT-3440: 420 x 450 x 1050 (WxLxH) GT-3444: 420 x 450 x 1050 (WxLxH)
ARM LENGTH (mm)	430
OPERATING VOLTAGE	115-240 V AC / 24V DC - 50-60 Hz
NOMINAL / MAX. CURRENT	250 mA / 850 mA
POWER CONSUMPTION	30 W (for each passage)
OPERATING TEMPERATURE	-20 °C / + 70 °C
ACCESS CONTROL	Microprocessor based control for granting access Easy integration with all kind of access control equipment Integrated passage counter at Control Unit with 4 digits display. Entry/Exit/Coin Feedback Signals, 2x 12 V DC 0.3 A Power Outputs, Speaker Output Entry/Exit/Emergency Input Signals (Free Contact), RS232 Input Passage Sensors and Token/Coin Unit Inputs (accessories are optional) Entry/Exit/Emergency Operation Test and Reset (accessories integrated at Control Unit Position detection with two separate micro-switches at mechanics Dropping feature at each tripod arm providing ease of site evacuation at the case of emergency, in GT-3404 and GT-3444 models Two separate warning indicators at front and rear sides of the gate. Green arrow indicates "Passage Open", Red cross indicates "Passage Closed" 6 different operational modes available, programmed by means of software Unidirectional and Bidirectional operation features as "Only Entrance", "Only Exit", "Entrance and Exit" Self-centered and smooth operation by means of spring and hydraulic damper Handling more than 30 passengers per minute While aesthetic classical case design provides good outlook, its modularity ensures ease of installation and part replacement Electrical and mechanical safety for all component. To avoid injuries, all corners and sides are rounded Main mechanism released and unlocked automatically. Arms rotates free ISO 9001:2015, CE 2 Years

* Subject to change depending on design or project needs without prior notice

ClassicLineGT-3400Datasheet v.2.0

Optional Accessories



Passage Sensor

Sensors can be deployed on the turnstile in accordance with required functions such as real-time passage signal or unauthorized passage alarm.



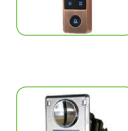
Button Control Unit

Designed for ease of operation where security personnel is responsible of opening the turnstile for passengers; wired and remote options available.



Stand-Alone Card Reader

For sites without Access Control System, seamless stand-alone card reader is available.



Token Unit

Customized token collector can be integrated to the turnstiles, it is adaptable to all token and coin types.

Finishing Options

- Standard** - 304 Stainless Steel, Satin Finishing
- Optional** - 316 Grade Stainless Steel, Satin Finishing
- Optional** - Powder Coating with Anti-Rust Layer and Heat Treatment (RAL Colours Available)