

# RISING BOLLARD BARRIERS

## GSB7000 Series

GateSet GSB7000 Series Hydraulic Rising Bollards are designed to protect sensitive areas that require high level of security. Cutting edge internal hydraulic power pack design provides silent and smooth operation with ease of installation and maintenance. The product is engineered to withstand high impact forces by destroying the front suspension system of the hostile vehicle. With its powerful hydraulic unit, GSB7000 Series is an ideal choice for high frequency heavy duty operation, achieving high level of security while maintaining an aesthetic look.

GSB7000 Datasheet v.2.0

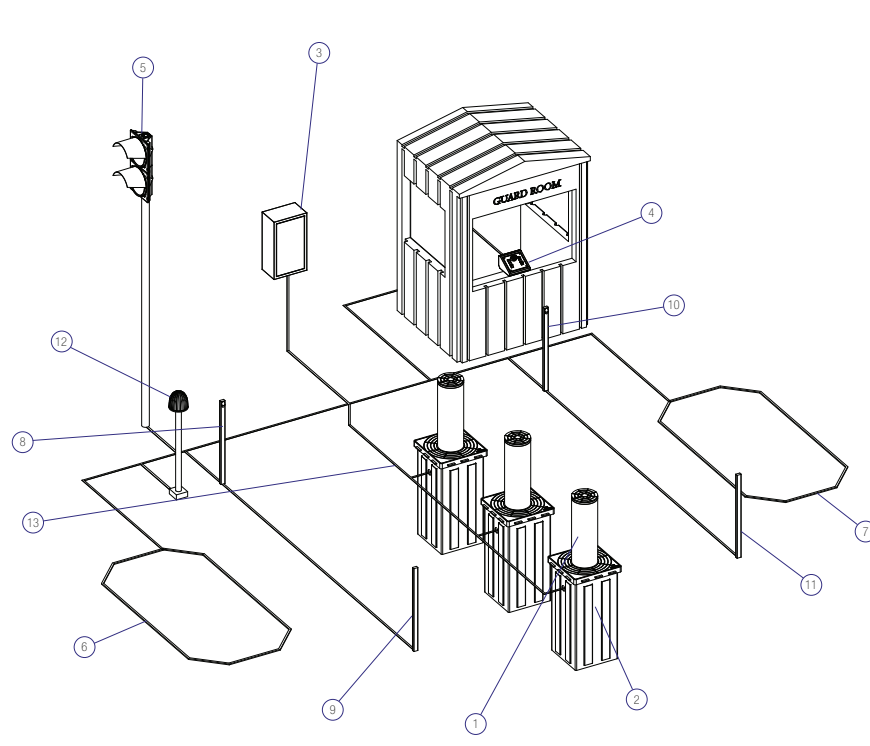
### Usage Areas

- Access Control
- Military Sites
- Government Offices
- Police Headquarters
- Research Centers
- Embassies
- Airports
- Industrial Areas
- Sensitive Sites (Subject to Ram Attacks)

### Featured Characteristics

- Cutting Edge** State-of-the-art internal hydraulic power pack design with maximum reliability
- Efficient** Ease of maintenance and installation combined with smooth and silent operation, thanks to internal hydraulics and modular case design
- Robust** Heavy gauge core cylinder with reinforced covers and underground case
- Advanced** Schneider PLC and top quality electronics, providing simultaneous and synchronized operation of up to 30 bollards with a single electronic control cabinet
- Heavy Duty** Suitable for intense usage at high frequency access control points, supporting 5,000+ movements in a consecutive fashion, a total 10,000+ movement per day

### System Components and Accessories

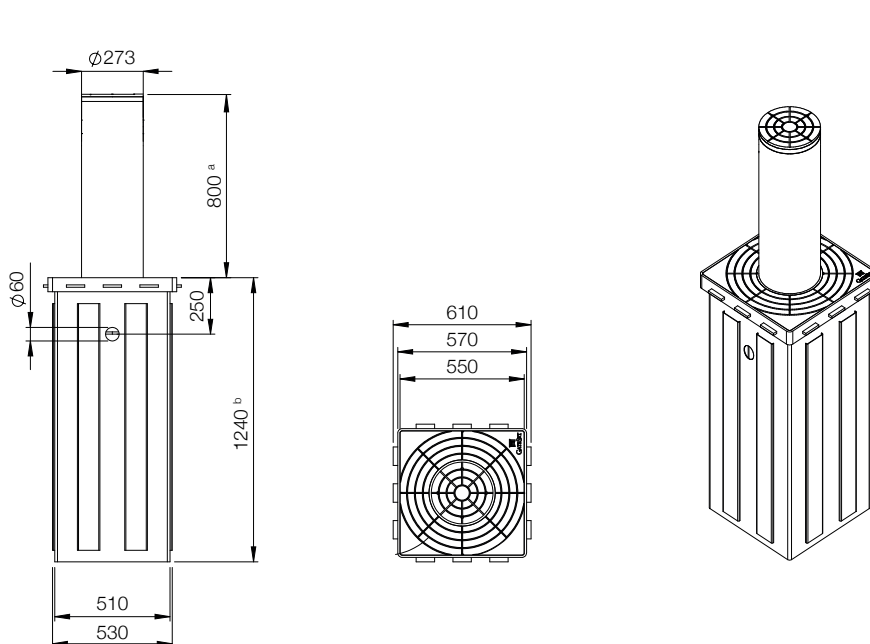


- Main Components**
- Rising Bollard Core Obstacle
  - Underground Case
  - Electronic Control Cabinet
  - Control Keyboard (optional)
- Optional Accessories**
- Traffic Lights
  - Front Loop Detector
  - Rear Loop Detector
  - Front Photozell Transmitter
  - Front Photozell Receiver
  - Rear Photozell Transmitter
  - Rear Photozell Receiver
  - Flashing Warning Light
- Connections**
- Data Connection Cables

GSB7000 Datasheet v.2.0

### Drawings and Dimensions \*

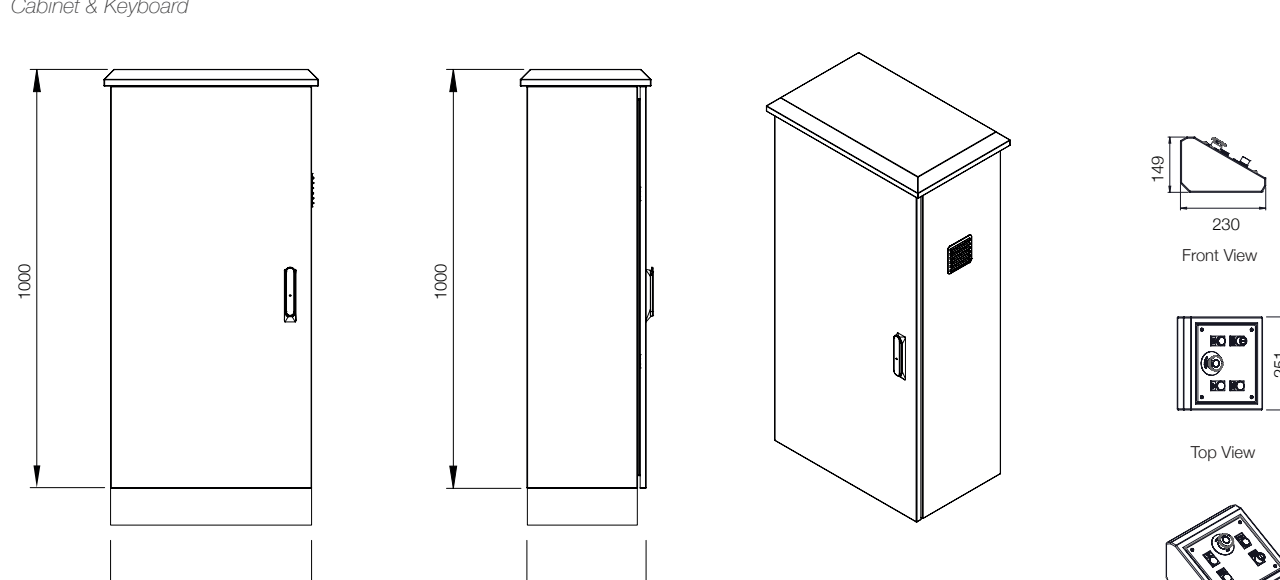
Bollard



**REMARKS**

- a- Obstacle Height: GSB7070: 700, GSB7080: 800, GSB7090: 900
- b- Underground Case Depth: GSB7070: 1140, GSB7080: 1240, GSB7090: 1340

Cabinet & Keyboard



\* Above cabinet measurements are for an outdoor cabinet for standard three group configuration. Subject to change depending on design or project needs without prior notice

GSB7000 Datasheet v.2.0

### Technical Specifications

- DRIVE** Internally Incorporated Single Acting Hydraulic
- DRIVE POWER** 25 Bar Average, 40 Bar Maximum
- CYLINDER DIAMETER** 273 mm
- OBSTACLE HEIGHT** GSB7070: 700mm, GSB7080: 800 mm, GSB7090: 900 mm
- CYLINDER THICKNESS** 10 + 2 mm
- MATERIAL** 10 mm ST52 Steel Core, Finished by 2 mm Stainless Steel Sleeve (304 Grade Standard)
- OUTER CASE DIMENSIONS** GSB7070: 610 x 610 x 1140 mm, GSB7080: 610 x 610 x 1240 mm, GSB7090: 610 x 610 x 1340 mm
- BEARING / MANHOLE** 10 mm Steel Bearing, 10 mm Cast Aluminum Manhole and Top Cover
- VISIBILITY ENHANCEMENT** Integrated LED Stripe
- RISING / FALLING TIME** 4 - 6 Seconds of Rising Time, depending on Obstacle Height
- EMERGENCY OPERATION** 2 Seconds Falling Time, with Gravity
- POWER SUPPLY** Optional (1.5 Sec)
- PROTECTION CLASS** 220 V AC / 50-60 Hz. 750W
- CONTROL PANEL** IP 67
- IMPACT RESISTANCE** Schneider Zelio Logic PLC for Simultaneous Operation of Grouped Bollards
- OPERATION TEMPERATURES** Schneider Zelio Logic PLC with Display
- WORKING FREQUENCY** 150,000 Joules (Impact) 700,000 Joules (Break-in)
- POSITION DETECTION** - 30 °C / + 65 °C
- MANUAL OPERATION** Heavy Duty with 10,000 Movement/Day
- EASE OF SERVICE** Waterproof In-Core Proximity Sensor for Down Position
- OPERATION CONTROL** Pressure Sensor for Up Position and Operation Safety
- OPERATION CONTROL** Easy Release System with Personalized Key
- OPERATION CONTROL** Pressure Measurement and Adjustment from top of the case without removing the bollard
- OPERATION CONTROL** Compatible with any kind of Standard Interface, Button (standard)
- OPERATION CONTROL** Remote Control, RFID - Proximity Card Reader, LR etc. (optional)
- OPERATION CONTROL** No 46 (standard)
- OPERATION CONTROL** Emergency Stop Button (standard) Photocell, Loop Sensor (optional)
- OPERATION CONTROL** Traffic Lights, Flashing Light, Siren, Warning Sign, Drainage Pump (optional)
- OPERATION CONTROL** ISO 9001:2015, CE
- OPERATION CONTROL** 2 Years

