



SPEED GATE TURNSTILES GS-9000 Series

GateSet Corporate Line GS-9000 Series Speed Gate Turnstiles are robust products functioning to provide pedestrian access control in areas requiring moderate to high level of security. Encoder and PLC controlled obstacle movement is provided by brushless DC motor, and enhanced with security features such as anti-tail-gating and anti-pass-back, with seven pairs of optical sensors embedded in the turnstile case, which in total ensures one of the highest reliability available in market and a remarkably long life even in case of intensive usages. GS-9000 Series Speed Gates are the perfect solution, where design, aesthetics and passage speed are important.

CorporateLineGS-9000Datasheet v.2.0

Functional Highlights



Linear Wing Movement



Bidirectional



Indoor



Security / Comfort



30 Passages / min

Usage Areas

Access Control
 Fee Collection
 Access Restriction
 Business Centers
 Government Offices
 Sport Centers
 Industrial Plants

Featured Characteristics

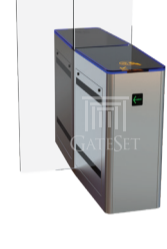
- Elegant** - Satin finished 304 Stainless Steel Case, tempered glass top cover and obstacles
- Reliable** - Brushless DC motor, controlled by Omron PLC providing a long product life with minimum maintenance
- Robust** - 1.5 mm 304 grade stainless steel Case, enhanced with 3 mm thick internal horizontal frames
- Secure** - Anti-Pass-Back and Anti-Tail-Gating with 7 pairs of embedded industrial optical sensors
- Flexible** - Ease of integration with various access control systems thanks to its control PLC answering all demanded high-end functions

Products in this Series

- GS-9300**
- Standard Single Wing
 - 304 Stainless Steel Body
 - Black Tainted Glass Top
 - Configured as:
 - * Master / Starting Unit or
 - * Slave / Ending Unit
 - Provides one 550 mm wide Passage together with corresponding standard wing



- GS-9900**
- Disabled Single Wing
 - 304 Stainless Steel Body
 - Black Tainted Glass Top
 - Configured as:
 - * Master / Starting Unit or
 - * Slave / Ending Unit
 - Provides one 900 mm wide Passage together with corresponding disabled wing



- GS-9600**
- Standard Double Wing
 - 304 Stainless Steel Body
 - Black Tainted Glass Top
 - Configured as:
 - * Master / Center Unit and
 - * Slave / Center Unit
 - Provides two 550 mm wide Passages at each side together with corresponding standard wings

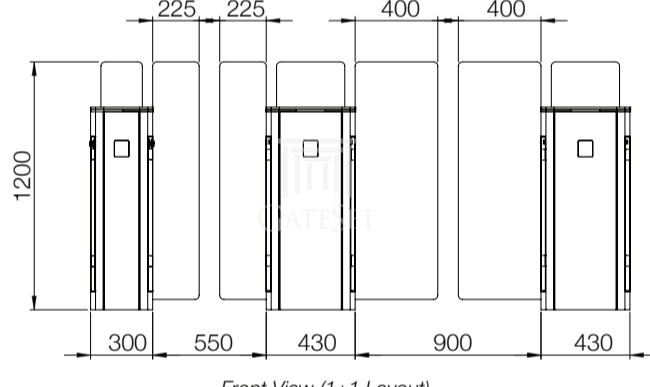


- GS-9920**
- Hybrid Double Wing
 - 304 Stainless Steel Body
 - Black Tainted Glass Top
 - Configured as:
 - * Master / Center Unit and
 - * Slave / Center Unit
 - Provides one 550 mm wide and one 900 mm wide Passages at each side together with corresponding standard and disabled wings

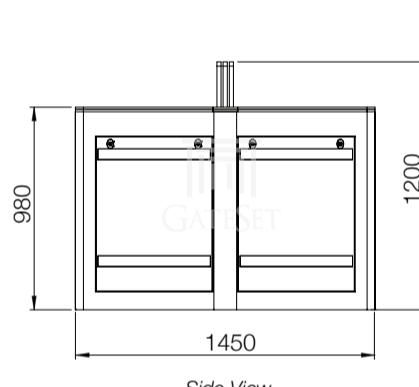


CorporateLineGS-9000Datasheet v.2.0

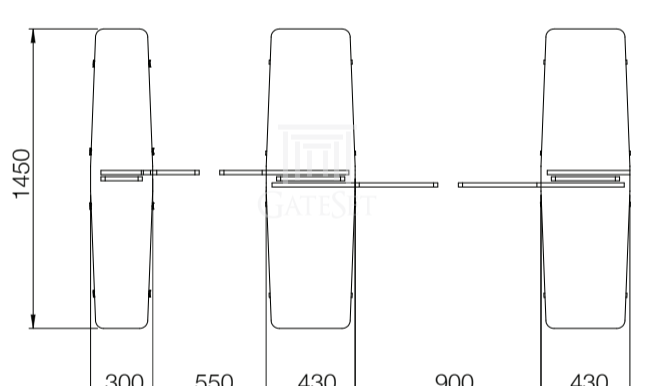
Drawings and Dimensions*



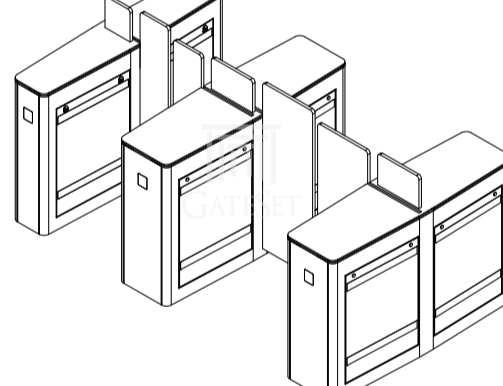
Front View (1+1 Layout)



Side View



Top View (1+1 Layout)



Isometric View

* Dimensions are given for 1+1 Passage Configuration with 1200 mm Obstacle Height. Subject to change depending on design or project needs without prior notice

Technical Specifications*

MATERIAL - MAIN BODY
 1.5 mm 304 grade stainless steel, satin finishing
MATERIAL - TOP COVER
 10 mm Plexiglas Layer for LED Stripes, Finished by 10 mm Tempered Safety Glass (Black Tainted)
MATERIAL - INNER CASE
 Reinforced with 5 mm horizontal and 3 mm vertical galvanized metal bars to increase strength
MATERIAL - OBSTACLE
 12 mm thick safety tempered glass for standard passage
SIDE COVERS
 Removable to provide easy access for servicing and maintenance
 Optical sensors are covered with 3mm thick Plexiglas
TREATMENT - OTHER PARTS
 All other parts are coated against corrosion
CASE DIMENSIONS (mm)
 300 x 1450 x 980 (GS-9300, GS-9600), 430 x 1450 x 980 (GS-9900, GS-9920, GS-9940)
OBSTACLE LENGTH (mm)
 225 mm (Standard Passage), 400 mm (Disabled Wing)
PASSAGE WIDTH (mm)
 550 mm (Standard Passage), 900 (Disabled Passage)
WING HEIGHT
 1200 mm
OPERATING VOLTAGE
 115-240 V AC / 24V DC - 50-60 Hz
POWER CONSUMPTION
 150 W (max) for single wing, 300 W (max) for double wings
OPERATING TEMPERATURE
 -20 °C / + 70 °C
ACCESS CONTROL
 Highest end Omron PLC control for granting access. Easy integration with all kind of access control equipment, configured to receive free contacting as standard
 7 point (pairs) IR sensor control for N/O mode, sequential (switching) passage feature for N/C mode. The system continuously monitors the status of the sensor and gives alarm in several cases
SENSOR CONTROL
 When a user occupies the lane without flushing a card, systems gives alarm after an adjustable time
 In instances where the lane is not used when access is granted the system will give alarm after adjustable time-out duration is exceeded
OCCUPANCY MONITORING
 When the lane is occupied from the opposite direction of the granted access, the system will give alarm
 When an unauthorized access attempt is made right after a valid access, system will give alarm and block access right after the valid passage (alarm/block access configurations are adjustable)
PASSAGE TIME-OUT
 Position of the obstacle right wings are detected by inductive switches
 Two separate warning indicators at front and rear sides of the gate.
ENCOUNTERING
 Green arrow indicates "Passage Open", Red rear indicates "Passage Closed"
ANTI-TAIL-GATING
 Passage indication with side LEDs. Green for passage free, Red for passage blocked, Blue for standby
POSITION DETECTION
 Motorized movement by 24 V DC - 30 W brushless motor coupled with 50:1 gearbox.
WARNING INDICATORS
 Speed control with encoder.
SIDE LED STRIPES
 Middle safety IR sensor for preventing obstacle - user interference
OBSTACLE MOVEMENT
 Unidirectional and Bidirectional operation features as "Only Entrance", "Only Exit", "Entrance and Exit"
SAFETY SENSOR
 Handling more than 30 passengers per minute
DIRECTIONAL MODE
 Electrical and mechanical safety for all components. To avoid injuries, all corners and sides are rounded
CAPACITY
 The wings are released automatically to be opened easily by hand
OPERATION SAFETY
 Fail-Safe: Wings will be remain it the current position (standard).
ELECTRICAL FAILURES
 Fail-Secure: Wings automatically hide to ensure safe evacuation during emergency (optional)
EMERGENCY OPERATION
 Ease of installation with mounting plate
 ISO 9001:2015
 2 Years

* Subject to change depending on design or project needs without prior notice

CorporateLineGS-9000Datasheet v.2.0

Optional Accessories



DC Power Pack
 With DC Power Pack, wings can be configured to open automatically in case of power failure



UV Logo Printing on Glass
 Personalized graphics on obstacles are provided on demand



Stand-Alone Card Reader
 For sites without Access Control System, seamless stand-alone card reader is available



Button Control Panel
 Designed for ease of operation from reception or supervision desks, remote or wired options

Finishing Options

- Standard** - 304 Stainless Steel, Satin Finishing
- Optional** - 316 Grade Stainless Steel, Satin Finishing
- Optional** - Powder Coating with Anti-Rust Layer and Heat Treatment (RAL Colours Available)

