



# SPEED GATE TURNSTILES

## GS-6000 Series

GateSet Corporate Line GS-6000 Series Speed Gate Turnstiles are robust products functioning to provide pedestrian access control in areas requiring moderate level of security. Encoder and PLC controlled obstacle movement is provided by brushless DC motor, and enhanced with security features such as anti-tail-gating and anti-pass-back, with seven pairs of optical sensors embedded in the turnstile case, which in total ensures one of the highest reliability available in market and a remarkably long life even in case of intensive usages. GS-6000 Series Speed Gates are the perfect solution, where design, aesthetics and passage speed are important.

CorporateLineGS-6000Datasheet v.2.0

### Functional Highlights



Linear Wing Movement



Bidirectional



Indoor



Security / Comfort



30 Passages / min

### Usage Areas

- Access Control
- Fee Collection
- Access Restriction
- Business Centers
- Government Offices
- Airports
- Industrial Plants

### Featured Characteristics

- Elegant** - Satin finished 304 Stainless Steel Case, tempered glass top cover and obstacles
- Reliable** - Brushless DC motor, controlled by Omron PLC providing a long product life with minimum maintenance
- Robust** - 1.5 mm 304 grade stainless steel Case, enhanced with 5 mm thick internal vertical frames
- Secure** - Anti-Pass-Back and Anti-Tail-Gating with 7 pairs of embedded industrial optical sensors
- Flexible** - Ease of integration with various access control systems thanks to its control PLC answering all demanded high-end functions

### Products in this Series

**GS-6300**

- Standard Single Wing
- 304 Stainless Steel Body
- Black Tainted Glass Top
- Configured as:
  - \* Master / Starting Unit or
  - \* Slave / Ending Unit
- Provides one 550 mm wide Passage together with corresponding standard wing



**GS-6900**

- Disabled Single Wing
- 304 Stainless Steel Body
- Black Tainted Glass Top
- Configured as:
  - \* Master / Starting Unit or
  - \* Slave / Ending Unit
- Provides one 900 mm wide Passage together with corresponding disabled wing



**GS-6600**

- Standard Double Wing
- 304 Stainless Steel Body
- Black Tainted Glass Top
- Configured as:
  - \* Master / Center Unit and
  - \* Slave / Center Unit
- Provides two 550 mm wide Passages at each side together with corresponding standard wings



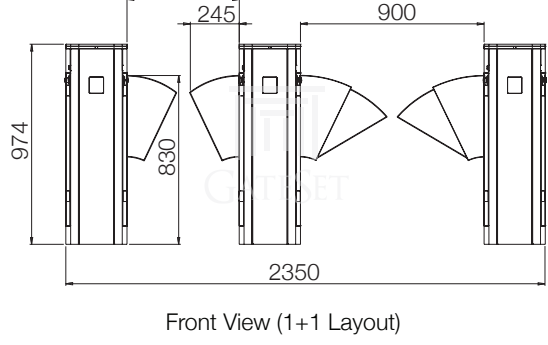
**GS-6920**

- Hybrid Double Wing
- 304 Stainless Steel Body
- Black Tainted Glass Top
- Configured as:
  - \* Master / Center Unit and
  - \* Slave / Center Unit
- Provides one 550 mm wide and one 900 mm wide Passages at each side together with corresponding standard and disabled wings

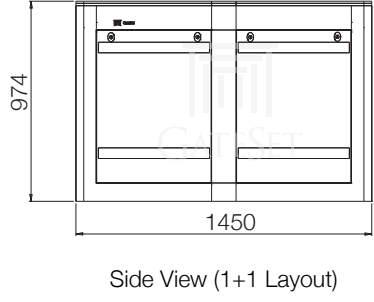


CorporateLineGS-6000Datasheet v.2.0

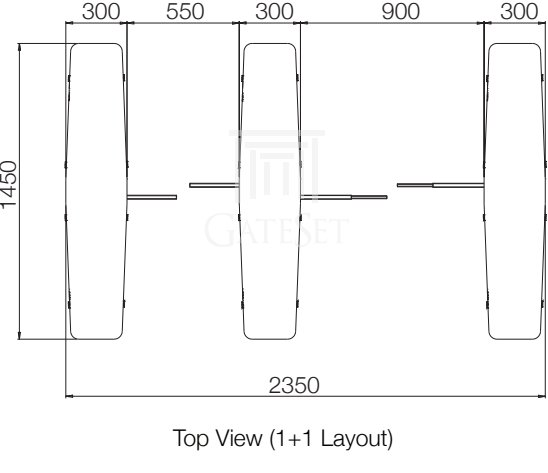
### Drawings and Dimensions\*



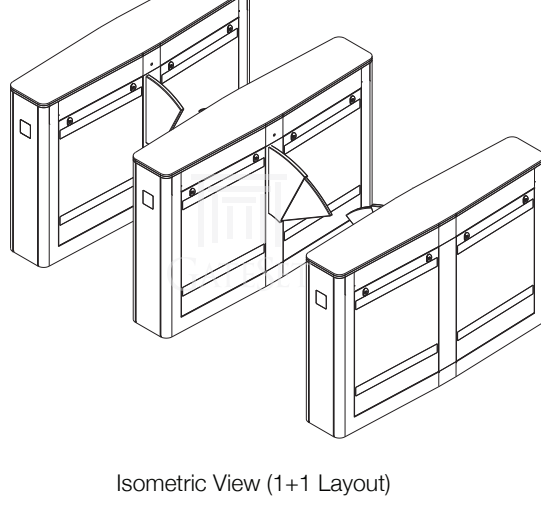
Front View (1+1 Layout)



Side View (1+1 Layout)



Top View (1+1 Layout)



Isometric View (1+1 Layout)

\* Dimensions are given for 1+1 Passage Configuration. Subject to change depending on design or project needs without prior notice

### Technical Specifications\*

|                                |  |
|--------------------------------|--|
| <b>MATERIAL - MAIN BODY</b>    | 1.5 mm 304 grade stainless steel, satin finishing  |
| <b>MATERIAL - TOP COVER</b>    | 10 mm Plexiglas Layer for LED Stripes, Finished by 10 mm Tempered Safety Glass (Black Tainted)   |
| <b>MATERIAL - INNER CASE</b>   | Reinforced with 5 mm horizontal galvanized metal bars to increase strength   |
| <b>MATERIAL - OBSTACLE</b>     | 15 mm thick safety Plexiglas for standard passage  |
| <b>SIDE COVERS</b>             | 25 mm thick Polyurethane with steel carcass combined with 15 mm inner Plexiglas for disabled passage   |
| <b>TREATMENT - OTHER PARTS</b> | Removable to provide easy access for servicing and maintenance   |
| <b>DIMENSIONS (mm)</b>         | Optical sensors are covered with 3mm thick Plexiglas   |
| <b>OBSTACLE LENGTH (mm)</b>    | All other parts are coated against corrosion   |
| <b>PASSAGE WIDTH (mm)</b>      | 300 x 1450 x 974   |
| <b>WING HEIGHT</b>             | 245 mm (Standard Wing), 425 mm (Disabled Wing)   |
| <b>OPERATING VOLTAGE</b>       | 550 mm (Standard Passage), 900 (Disabled Passage)  |
| <b>POWER CONSUMPTION</b>       | 830 mm   |
| <b>OPERATING TEMPERATURE</b>   | 115-240 V AC / 24V DC - 50-60 Hz   |
| <b>ACCESS CONTROL</b>          | 150 W (max) for single wing, 300 W (max) for double wings  |
| <b>SENSOR CONTROL</b>          | -20 °C / + 70 °C   |
| <b>OCCUPANCY MONITORING</b>    | Highest end Omron PLC control for contact access. Highest integration with all kind of access control equipment, configured to receive free contact at standard                                  |
| <b>ENCOUNTERING</b>            | 7 point (pairs) IR sensor control for N/O mode, sequential (switching) passage feature for N/C mode.   |
| <b>ANTI-TAIL-GATING</b>        | The system continuously monitors the status of the corridor and gives alarm in several cases   |
| <b>POSITION DETECTION</b>      | When a user occupies the lane without flushing a card, systems gives alarm after an adjustable time  |
| <b>WARNING INDICATORS</b>      | In instances where the lane is not used when access is granted, the system will give alarm after adjustable time-out duration is exceeded  |
| <b>SIDE LED STRIPES</b>        | When the lane is occupied from the opposite direction of the granted access, the system will give alarm  |
| <b>OBSTACLE LENGTH</b>         | When an unauthorized access attempt is made right after a valid access, system will give alarm and block access right after the valid passage (alarm/block access configurations are adjustable) |
| <b>OBSTACLE WIDTH</b>          | Position of the obstacle wings are detected by inductive switches  |
| <b>SAFETY SENSOR</b>           | Two separate warning indicators at front and rear sides of the gate.   |
| <b>DIRECTIONAL MODE</b>        | Green arrow indicates "Passage Open", Red rear sides indicates "Passage Closed"  |
| <b>CAPACITY</b>                | Passage indication with side LEDs. Green for passage free, Red for passage blocked, Blue for standby   |
| <b>OPERATION SAFETY</b>        | Motorized movement by 24 V DC - 30 W brushless motor coupled with 30:1 gearbox for standard wing and 50:1 gearbox for articulated wing. Speed control with encoder.                              |
| <b>ELECTRICAL FAILURES</b>     | Middle safety IR sensor for preventing obstacle - user interference  |
| <b>EMERGENCY OPERATION</b>     | Unidirectional and Bidirectional operation features as "Only Entrance", "Only Exit", "Entrance and Exit"   |
| <b>INSTALLATION</b>            | Handling more than 30 passengers per minute  |
| <b>CERTIFICATION</b>           | Electrical and mechanical safety for all components. To avoid injuries, all corners and sides are rounded  |
| <b>WARRANTY</b>                | The wings are released automatically to be opened easily by hand   |
|                                | Fail-Safe: Wings will be remain it the current position (standard).  |
|                                | Fail-Secure: Wings automatically hide to ensure safe evacuation during emergency (optional)  |
|                                | Ease of installation with mounting plate   |
|                                | ISO 9001:2015  |
|                                | 2 Years  |

\* Subject to change depending on design or project needs without prior notice

CorporateLineGS-6000Datasheet v.2.0

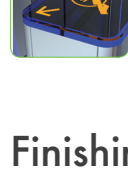
### Optional Accessories



**DC Power Pack**  
With DC Power Pack, wings can be configured to open automatically in case of power failure



**Laser Logo Engraving on Wings**  
Personalized graphics engraving with laser on obstacles are provided on demand



**Stand-Alone Card Reader**  
For sites without Access Control System, seamless stand-alone card reader is available



**Button Control Panel**  
Designed for ease of operation from reception or supervision desks, remote or wired options

### Finishing Options

- Standard** - 304 Stainless Steel, Satin Finishing
- Optional** - 316 Grade Stainless Steel, Satin Finishing
- Optional** - Powder Coating with Anti-Rust Layer and Heat Treatment (RAL Colours Available)