



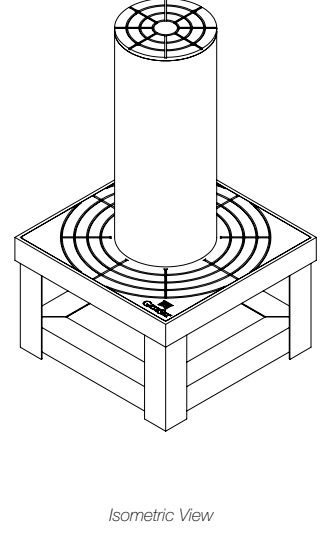
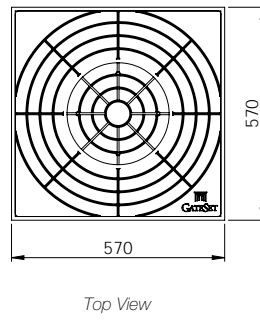
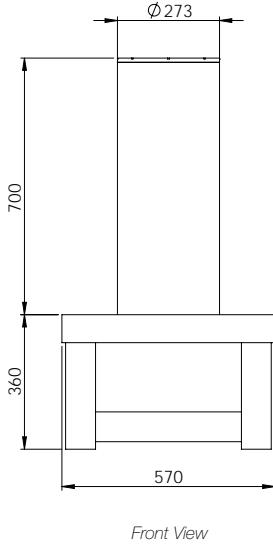
FIXED BOLLARD BARRIERS

GFB7000 Series

GateSet GFB7000 Series Fixed Bollards are designed to provide permanent blockage of vehicle access in areas where medium to high security is required. With its strong underground infrastructure GFB7000 Series Fixed bollards delivers substantial impact resistance to prevent vehicle penetration both in case of hostility and accident. Manufactured to provide total outlook coherence with GateSet GSB7000 Series Automatic Rising Bollards, GFB7000 Series Fixed Bollards is the ideal solution for permanent vehicle access prevention.

GFB7000 Datasheet v.2.0

Drawings and Dimensions

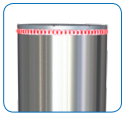


Technical Specifications

<i>TYPE</i>	Static
<i>CORE BOLLARD DIAMETER</i>	273 mm
<i>OBSTACLE HEIGHT</i>	700 - 900 mm
<i>CORE THICKNESS</i>	10 + 2 mm Steel Core
<i>MATERIAL</i>	10 mm ST52 Steel Core, Finished by 2 mm Stainless Steel Sleeve (304 Grade Standard)
<i>INSTALLATION TYPE</i>	Shallow Mounted
<i>MANHOLE</i>	10 mm Cast Aluminum Manhole and Top Cover
<i>VISIBILITY ENHANCEMENT</i>	Integrated LED Stripe (optional)
<i>CERTIFICATION</i>	ISO 9001:2015
<i>WARRANTY</i>	2 Years

GFB7000 Datasheet v.2.0

Optional Accessories



LED Striped Top Cover

Patterned Steel top cover with LED stripe is available to enhance barrier visibility