

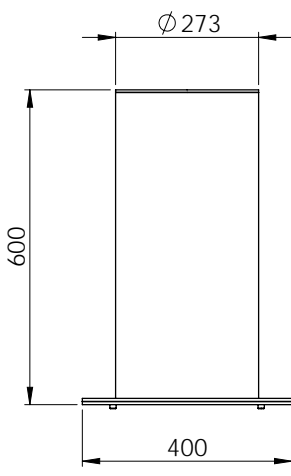


FIXED BOLLARD BARRIERS GFB6000 Series

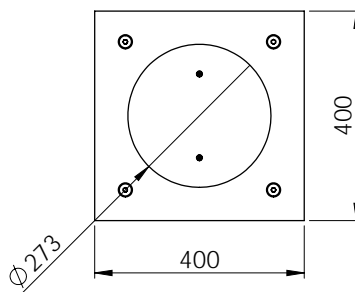
GateSet GFB6000 Series Fixed Bollards are designed to provide vehicle access control in areas where none or rare vehicle passage is present, applied to those sites at which low to medium security is required. Thanks to its modular structure GFB6000 Series Fixed bollards can be installed with ease and can be removed with low effort when required. Manufactured to provide total outlook coherence with GateSet GSB6000 Series Automatic Rising Bollards, GFB6000 Series Fixed Bollards is the ideal cost-effective solution for vehicle access regulation.

GFB6000 Datasheet v.2.0

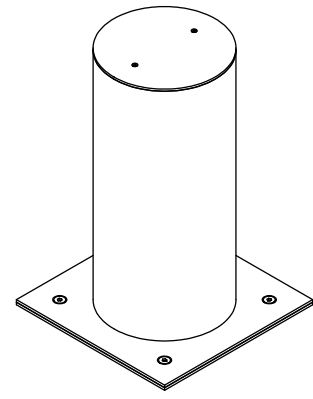
Drawings and Dimensions



Front View



Top View



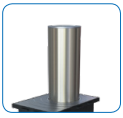
Isometric View

Technical Specifications

<i>TYPE</i>	Static
<i>CORE BOLLARD DIAMETER</i>	273 mm
<i>OBSTACLE HEIGHT</i>	500 - 700 mm
<i>CORE THICKNESS</i>	5 mm Steel Core
<i>INSTALLATION TYPE</i>	Surface Mounted with Expansion Bolt
<i>TOP COVER</i>	6 mm Thick Steel
<i>BOLLARD FINISHING</i>	Anti-corrosive Coating with Two Component Surface Tolerant Epoxy Mastic (Jotamastic). Different RAL Colors Available on Demand
<i>CERTIFICATION</i>	ISO 9001:2015
<i>WARRANTY</i>	2 Years

GFB6000 Datasheet v.2.0

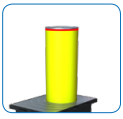
Optional Features



Stainless Steel Cylinder

Brushed 304 grade stainless steel provides long usage life and elegant design.

Optional Accessories



LED Striped Top Cover

Patterned Steel top cover with LED stripe is available to enhance barrier visibility