



FACE RECOGNITION TICKETING AND ID SYSTEMS FRS2000 Series

FRS2000 **Face Recognition Systems** is specifically designed to provide solutions for all scenarios at pedestrian access points. The mobile interface of the system allows database inquiry and ID upload in a matter of seconds. Simultaneous face recognition of more than one person allows system to work in a multitasking fashion. Control of multiple access control corridors through a single camera is capable of triggering assigned passageway to react in accordance with person's position. With advanced matching engine, FRS2000 provides fast and accurate identification in scenarios such as access points where swift passage is required or sensitive areas where trespass of blacklisted persons pose a high risk.

FRS2000 Datasheet v.2.0

Usage Areas

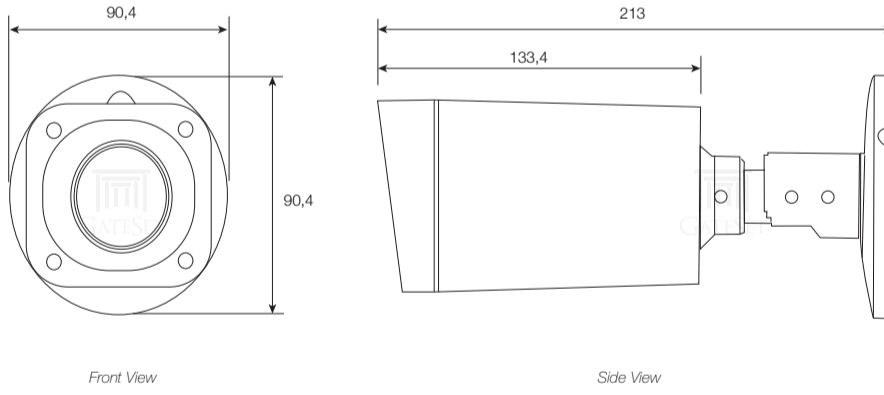
<i>Access Control</i>	<ul style="list-style-type: none"> Military Sites Government Offices Police Headquarters Research Centers Embassies Airports Industrial Areas
-----------------------	--

Featured Characteristics

<i>Swift</i>	Web-based interface allows database inquiry and new ID upload in minimal time
<i>Multitasking</i>	Simultaneous face recognition allows processing crowds. Multiple corridor feature in a single camera allows passage-oriented triggering, based on person's position
<i>Vigilant</i>	Not affected by appearance alterations such as beard, sunglasses, hats or aging; FRS2000 is able to recognize uploaded person through cosmetic changes and disguise
<i>Precise</i>	Blacklist function triggers a silent or audible alarm for banned persons while White-list feature informs the facility personnel about arrival of VIP guests

FRS2000 Datasheet v.2.0

Drawings and Dimensions*



Subject to change depending on design or project needs without prior notice

Technical Specifications*

IMAGE SENSOR	1/2.7" 2Megapixel progressive CMOS
EFFECTIVE PIXELS	1920(H) x 1080(V)
RAM/ROM	256MB/16MB
SCANNING SYSTEM	Progressive
ELECTRONIC SHUTTER SPEED	Auto/Manual, 1/3(4)~1/100000s
MINIMUM ILLUMINATION	0.1Lux/F1.4(Color), 0Lux/F1.4(IR on)
S/N RATIO	More than 50dB
IR DISTANCE	Distance up to 60m(197ft)
IR ON/OFF CONTROL	Auto/ Manual
IR LEDES	4
LENS TYPE	Motorized(-ZS),Manual(-VFS)
MOUNT TYPE	Board-in
FOCAL LENGTH	2.7mm~12mm
MAX. APERTURE	F1.4
ANGLE OF VIEW	H:99°~37°, V:52°~21°
FOCUS CONTROL	Motorized (-ZS),Manual(-VFS)
CLOSE FOCUS DISTANCE	0,3m
POWER SUPPLY	DC12V PoE (802.3af)(Class 0)
POWER CONSUMPTION	<12.95W
WARRANTY	Two (2) Years

* Subject to change depending on design or project needs without prior notice

