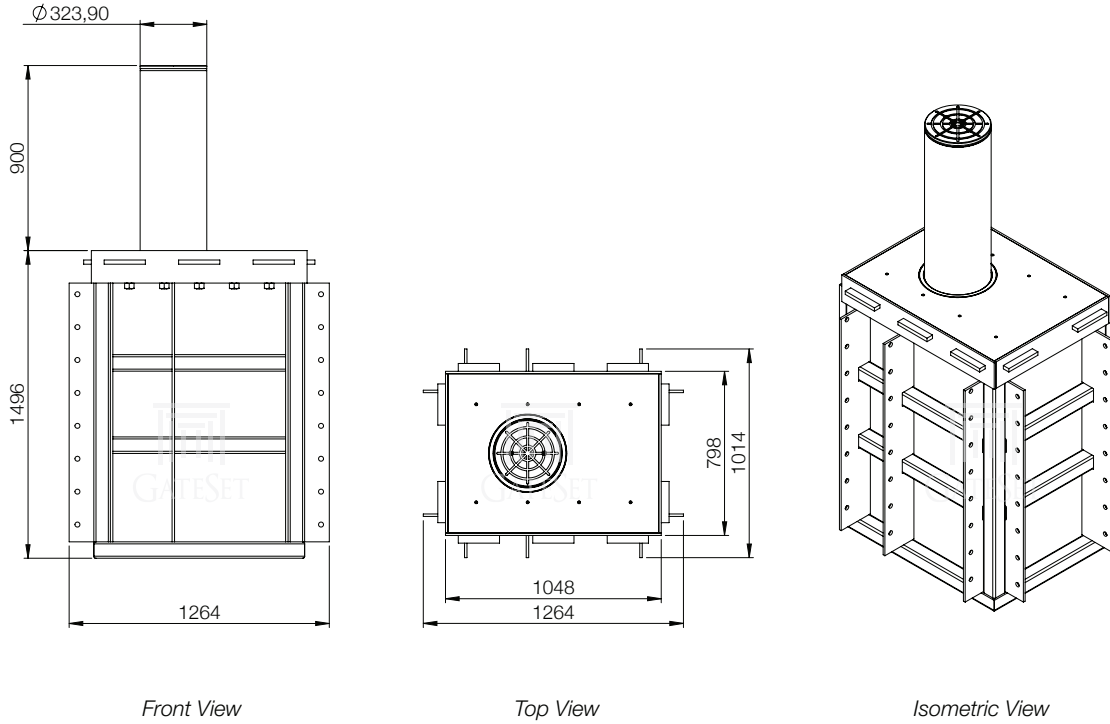


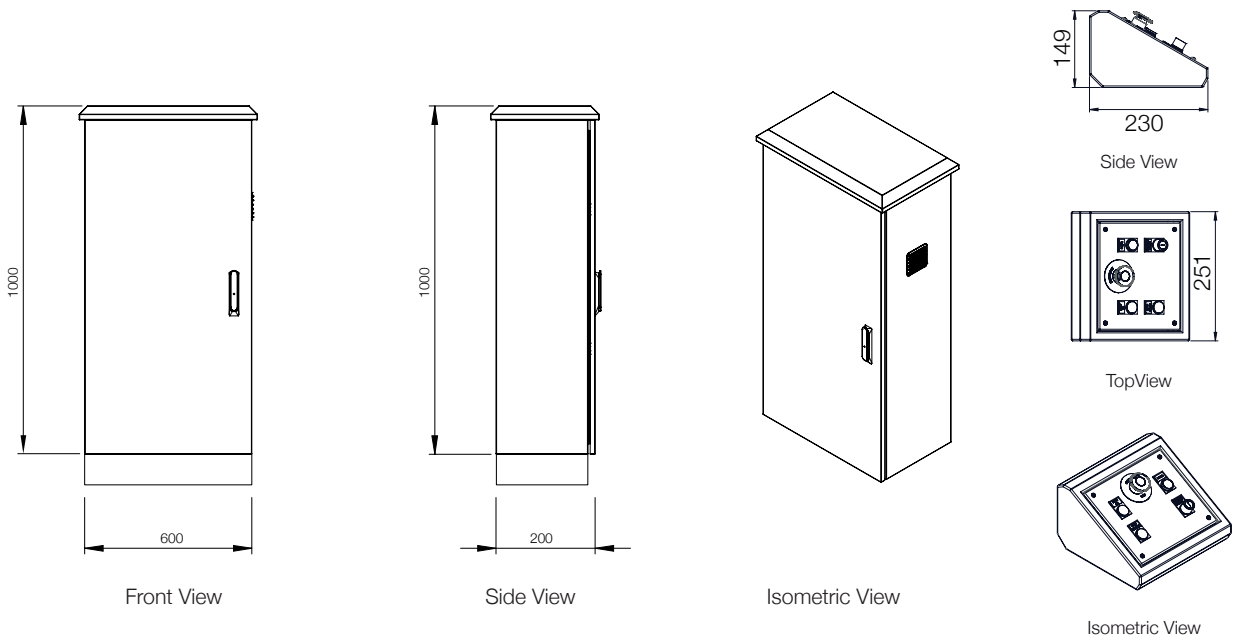
## GSB9000 Series Rising Bollards\*



### REMARKS

- a- Obstacle Height: GSB9090: 900, GSB9100: 1000, GSB9110: 1100  
b- Underground Case Depth: GSB9090: 1412, GSB9100: 1512, GSB9110: 1612

## Control Cabinet and Keyboard\*



\* Above cabinet measurements are for an outdoor cabinet for standard three group configuration. Subject to change depending on design or project needs without prior notice

REVISION Technical Drawings v.2.0

MODEL: GSB9000  
DATE: 17.05.2017  
CREATED: duran...  
APPROVED: mustafaoglu...  
SCALE: not specified