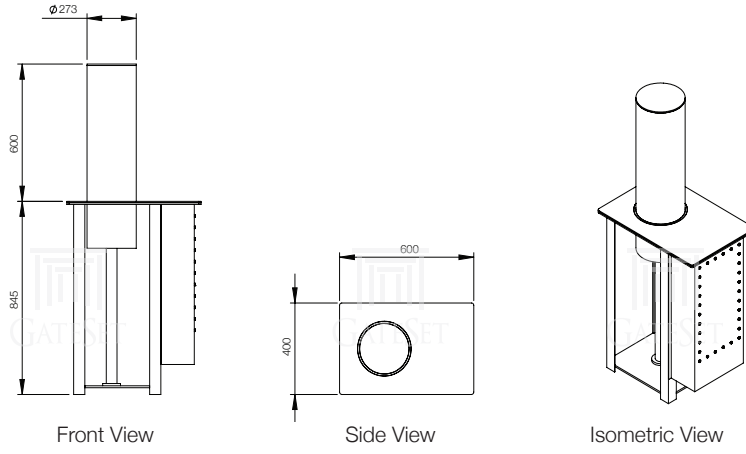


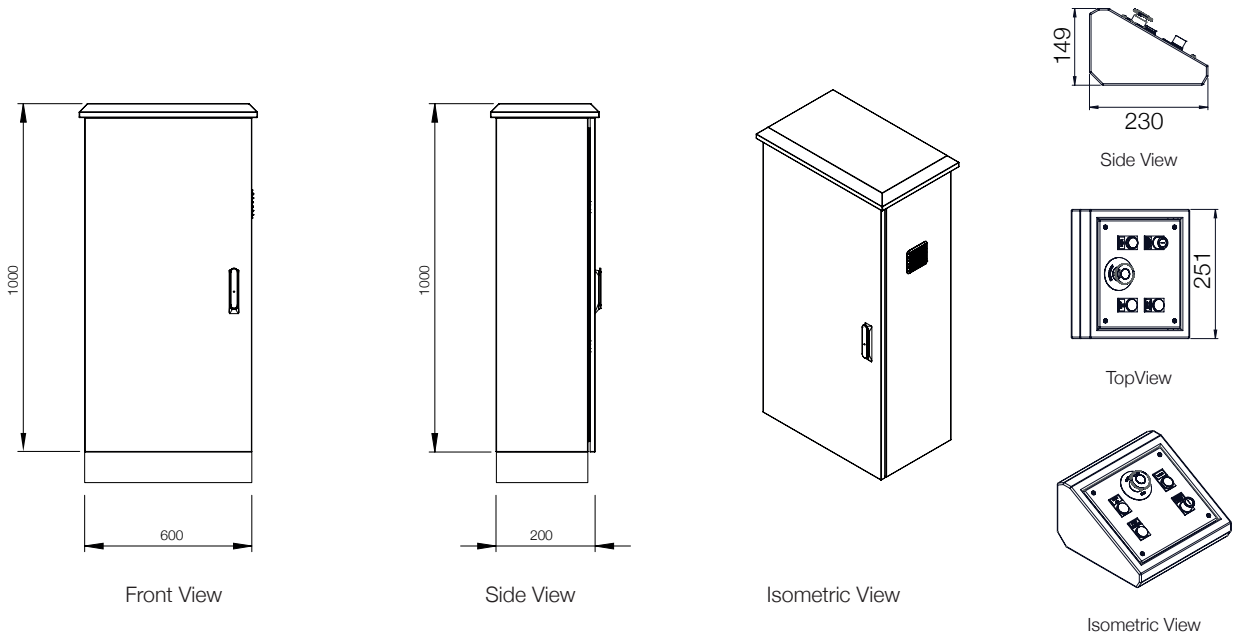
GSB6000 Series Rising Bollards*



REMARKS

- a- Obstacle Height: GSB6060: 600, GSB6070: 700
b- Underground Case Depth: GSB6060: 845, GSB6070: 945

Control Cabinet and Keyboard*



* Above cabinet measurements are for an outdoor cabinet for standard three group configuration. Subject to change depending on design or project needs without prior notice

REVISION Technical Drawings v.2.0

MODEL: GSB6000
DATE: 17.05.2019
CREATED: duran...
APPROVED: Mustafaoglu...
SCALE: not scaled