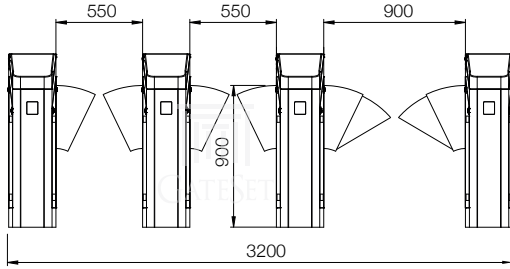
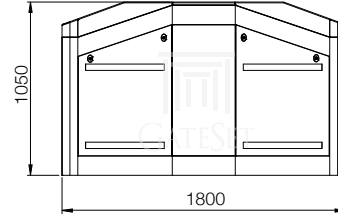




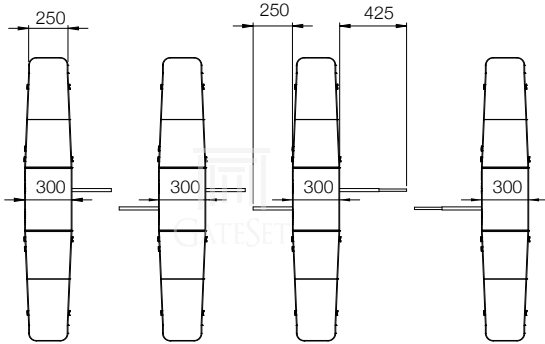
## GS-7000 Series Speed Gates\*



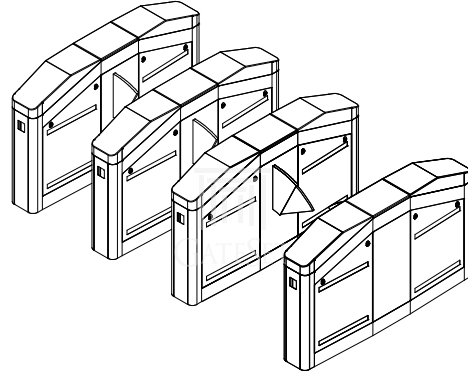
Front View (2+1 Layout)



Side View



TopView (2+1 Layout)



Isometric View

\* Subject to change depending on design or project needs without prior notice

**REVISION** Technical Drawings v.2.0

MODEL: GS-7000 Series  
DATE: 27.05.2017  
CREATED: duran...  
APPROVED: mustafaoglu...  
SCALE: not...  
DRAWN: ...