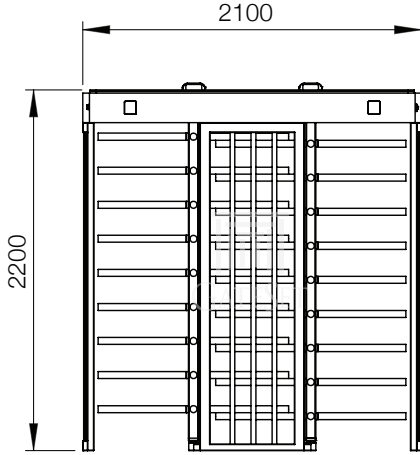
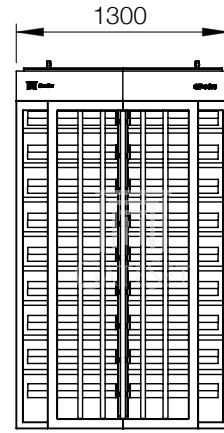




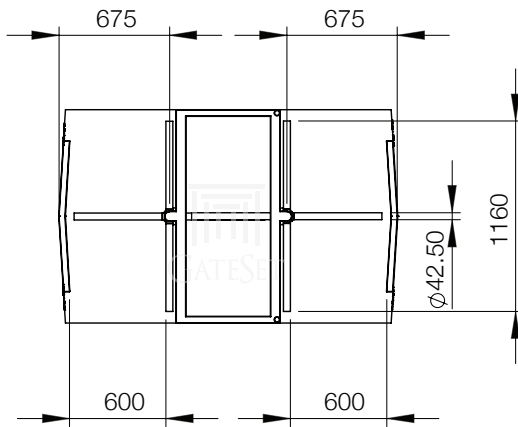
## GF-8800 Series Full Height Turnstiles\*



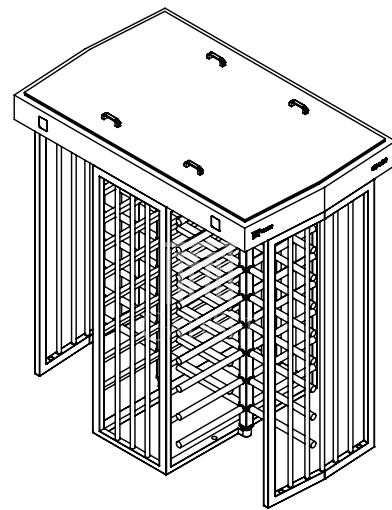
Front View



Side View



Top View



Isometric View

\* Subject to change depending on design or project needs without prior notice

REVISION Technical Drawings v.2.0

MODEL GF-8800 Series  
DATE 30.07.2019  
CREATED duran...  
APPROVED Mustafaoglu...  
SCALE not scaled