

RISING BOLLARD BARRIERS

GSB6000 Series

GateSet GSB6000 Series Hydraulic Rising Bollards Systems are designed to provide secure solutions for vehicle access control and regulation of city traffic. State of the art internally incorporated hydraulic power pack presents silent and smooth operation, with ease of installation and maintenance. GSB6000 Series Bollards are applicable in areas where frequent and heavy duty usage is required at moderate to high level of security, providing solid protection, while maintaining its aesthetic line thanks to its continuously evolving modern design.

GSB6000 Datasheet v.2.0

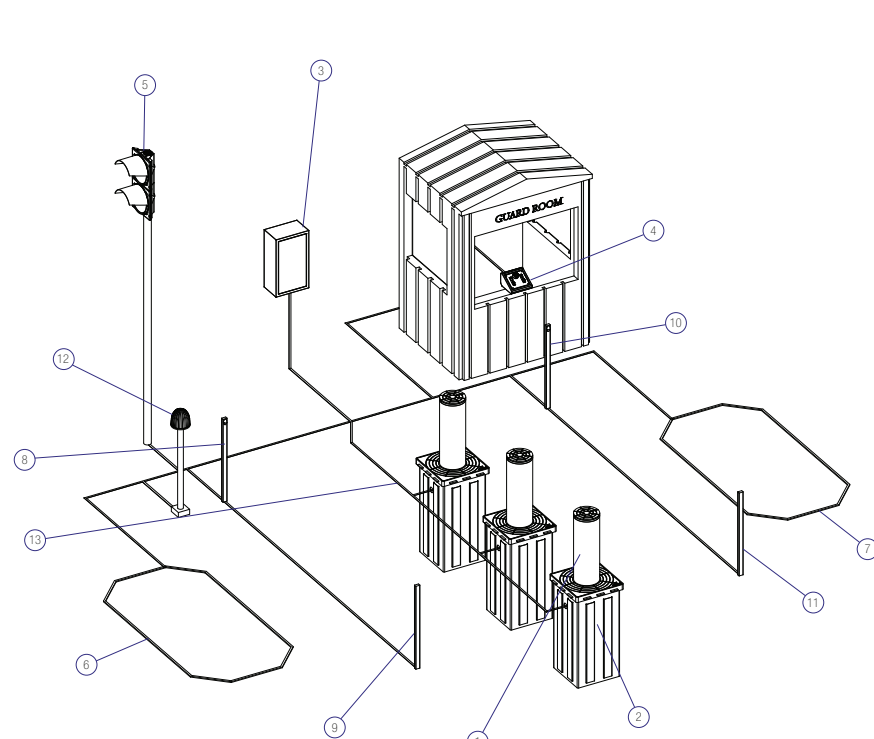
Usage Areas

<i>Access Control</i>	<ul style="list-style-type: none"> Military Sites Government Offices Police Headquarters Research Centers Embassies Airports Industrial Areas Sensitive Sites (Subject to Ram Attacks)
-----------------------	--

Featured Characteristics

<i>Cutting Edge</i>	State-of-the-art internal hydraulic power pack design with maximum reliability
<i>Efficient</i>	Ease of maintenance and installation combined with smooth and silent operation , thanks to internal hydraulics and modular case design
<i>Cost-Effective</i>	Budget friendly solution for projects with financial constraints
<i>Heavy Duty</i>	Suitable for intense usage at high frequency access control points, supporting 5,000+ movements in a consecutive fashion, a total 10,000+ movement per day

System Components and Accessories

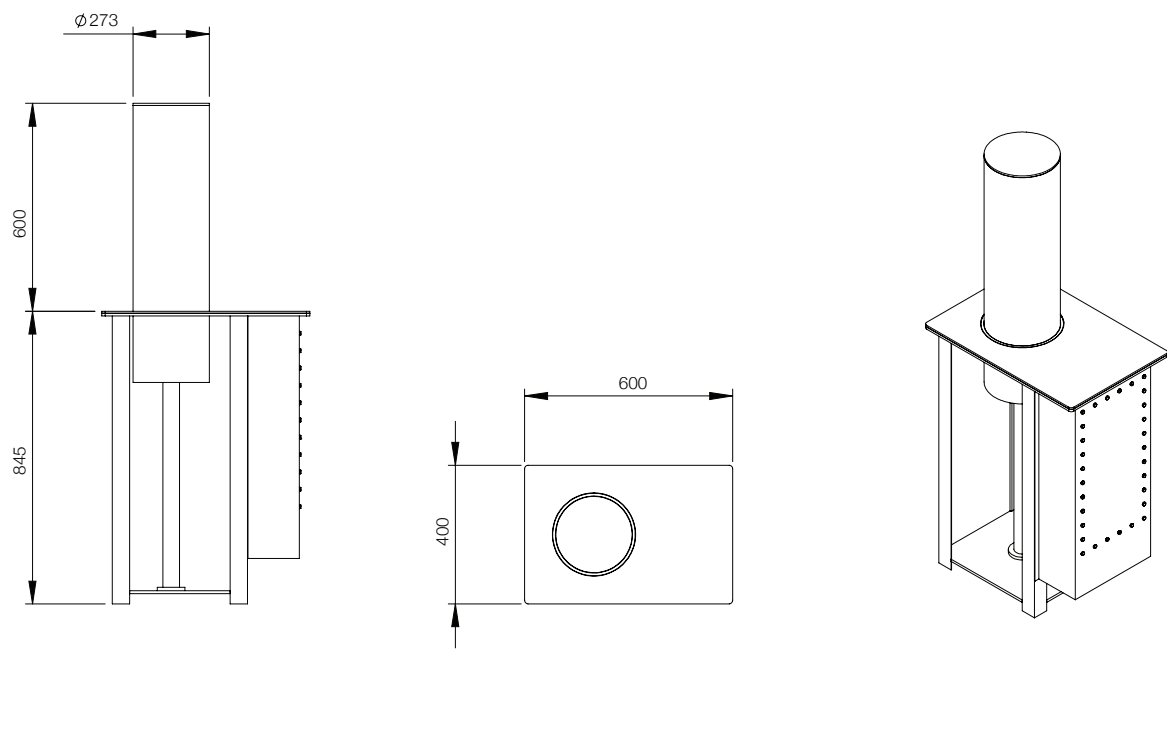


- Main Components**
- 1- Rising Bollard Core Obstacle
 - 2- Underground Case
 - 3- Electronic Control Cabinet
 - 4- Control Keyboard (optional)
- Optional Accessories**
- 5- Traffic Lights
 - 6- Front Loop Detector
 - 7- Rear Loop Detector
 - 8- Front Photocell Transmitter
 - 9- Front Photocell Receiver
 - 10- Rear Photocell Transmitter
 - 11- Rear Photocell Receiver
 - 12- Flashing Warning Light
- Connections**
- 13- Data Connection Cables

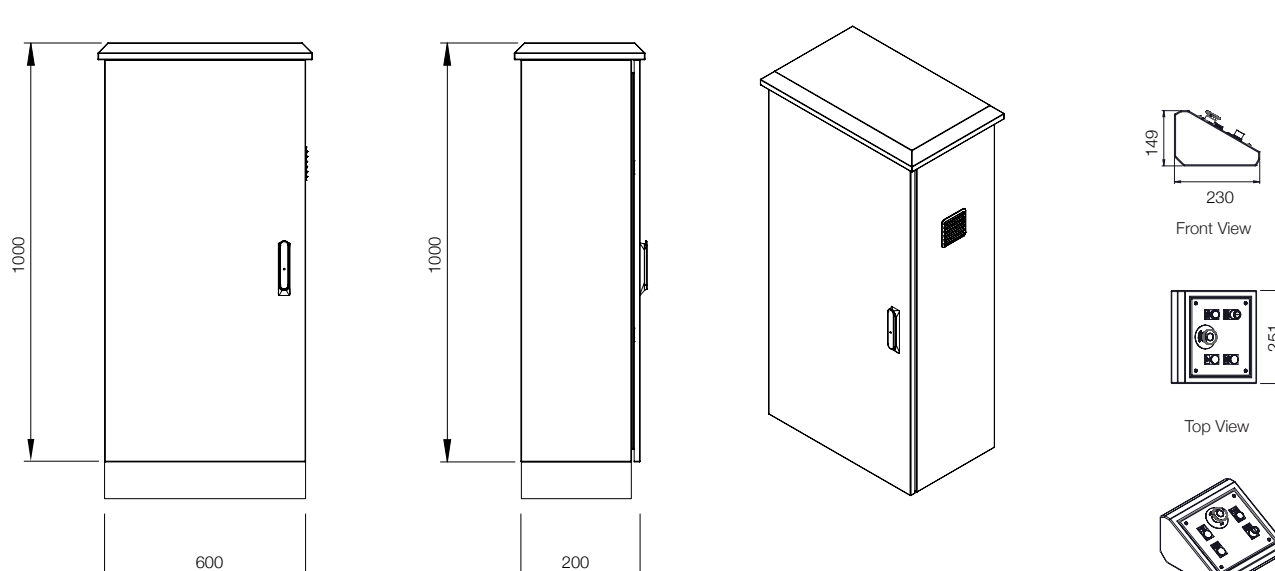
GSB6000 Datasheet v.2.0

Drawings and Dimensions*

Bollard



Cabinet & Keyboard



* Above cabinet measurements are for an outdoor cabinet for standard three group configuration. Subject to change depending on design or project needs without prior notice

Technical Specifications

<i>DRIVE</i>	Internally Incorporated Hydraulic
<i>DRIVE POWER</i>	25 Bar Average, 40 Bar Maximum
<i>CYLINDER DIAMETER</i>	273 mm
<i>OBSTACLE HEIGHT</i>	500 to 700 mm
<i>CYLINDER THICKNESS</i>	5 mm
<i>MATERIAL</i>	Electrostatic Powder Coated 5 mm Steel Core (Standard) 304 Grade 5 mm Steel Core (Optional)
<i>BEARING / MANHOLE</i>	400 x 600 x 845 mm (W x L x H) for 600 mm Obstacle Height
<i>VISIBILITY ENHANCEMENT</i>	8 mm Steel Bearing, 6 mm Patterned Sheet Steel Manhole and Top Cover
<i>INTEGRATED LED STRIPE</i>	Integrated LED Stripe (Optional)
<i>RISE / FALLING TIME</i>	5 - 6 Seconds (Adjustable)
<i>POWER SUPPLY</i>	220 V AC / 50-60 Hz. 550W
<i>PROTECTION CLASS</i>	IP 67
<i>CONTROL PANEL</i>	Independent Controller Box for Simultaneous Operation of Grouped Bollards Microprocessor Based Controller -30 °C / + 65 °C
<i>OPERATION TEMPERATURES</i>	Heavy Duty with 5000 Movement/Day
<i>WORKING FREQUENCY</i>	1x Waterproof In-Core Proximity Sensor for Down Position (optional)
<i>POSITION DETECTION</i>	Easy Release System with 12V DC Accumulator
<i>MANUAL OPERATION</i>	Compatible with any kind of Standard Interface
<i>OPERATION CONTROL</i>	Button Control, Remote Control, RFID - Proximity Card Reader, LR etc. (optional)
<i>HYDRAULIC OIL</i>	No 37 (standard)
<i>SAFETY EQUIPMENT</i>	Emergency Stop Button (standard) Photocell, Loop Sensor (optional)
<i>ACCESSORIES</i>	Traffic Lights, Flashing Light, Siren, Warning Sign, Drainage Pump (optional)
<i>CERTIFICATION</i>	ISO 9001:2015
<i>WARRANTY</i>	2 Years

GSB6000 Datasheet v.2.0

Optional Features

- Stainless Steel Cylinder**
 Brushed 304 grade stainless steel provides long usage life and elegant design.
- Position Sensor**
 Provides accurate obstacle position info, which allows the bollard to be integrated with other systems and components such as access control systems, barriers and traffic light.

Optional Accessories

- LED Striped Top Cover**
 Patterned Steel top cover with LED stripe is available to enhance barrier visibility
- Remote Control (Wireless)**
 Wireless Remote Control System with receiver and transmitter units, with rolling code security