



SPEED GATE TURNSTILES

GS-7000 Series

GateSet **Busy Line** GS-7000 Series Speed Gate Turnstiles are robust products functioning to provide pedestrian access control in areas requiring moderate level of security. With its long case providing extensive corridor length for handling massive crowds precisely, renders it as a perfect match for public transportation applications. Encoder and PLC controlled obstacle movement is provided by brushless DC motor, and enhanced with security features such as anti-tail-gating and anti-pass-back, with seven fourteen pairs of optical sensors embedded in the turnstile case, which in total ensures one of the highest reliability available in market and a remarkably long life even in case of intensive usages. GS-7000 Series Speed Gates are the perfect solution, where handling massive crowds in a reliable way is required.

BusyLineGS-7000Datasheet v.2.0

Functional Highlights



Linear Wing Movement



Bidirectional



Indoor



Security / Comfort



30 Passages / min

Usage Areas

Access Control
 Fee Collection
 Access Restriction
 Metro Stations
 Subways
 Public Transportation
 Industrial Plants

Featured Characteristics

- Enduring** - Designed to withstand against the intensive usage of massive crowds especially in public transportation areas such as subways of big cities
- Reliable** - Brushless DC motor, controlled by Omron PLC providing a long product life with minimum maintenance
- Robust** - 1.5 mm 304 grade stainless steel Case, enhanced with 3 mm thick internal horizontal frames
- Secure** - Advanced passage tracking with Anti-Pass-Back and Anti-Tail-Gating driven by 14 pairs of embedded industrial optical sensors
- Flexible** - Ease of integration with various access control systems thanks to its control PLC answering all demanded high-end functions

Products in this Series

- GS-7300**
- Standard Single Wing
 - 304 Stainless Steel Body
 - 304 Stainless Steel Top
 - Configured as:
 - * Master / Starting Unit or
 - * Slave / Ending Unit
 - Provides one 550 mm wide Passage together with corresponding standard wing



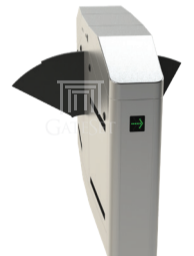
- GS-7900**
- Disabled Single Wing
 - 304 Stainless Steel Body
 - 304 Stainless Steel Top
 - Configured as:
 - * Master / Starting Unit or
 - * Slave / Ending Unit
 - Provides one 900 mm wide Passage together with corresponding disabled wing



- GS-7600**
- Standard Double Wing
 - 304 Stainless Steel Body
 - 304 Stainless Steel Top
 - Configured as:
 - * Master / Center Unit and
 - * Slave / Center Unit
 - Provides two 550 mm wide Passages at each side together with corresponding standard wings

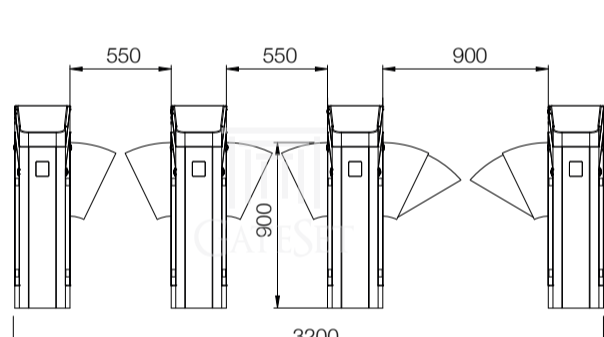


- GS-7920**
- Hybrid Double Wing
 - 304 Stainless Steel Body
 - 304 Stainless Steel Top
 - Configured as:
 - * Master / Center Unit and
 - * Slave / Center Unit
 - Provides one 550 mm wide and one 900 mm wide Passages at each side together with corresponding standard and disabled wings

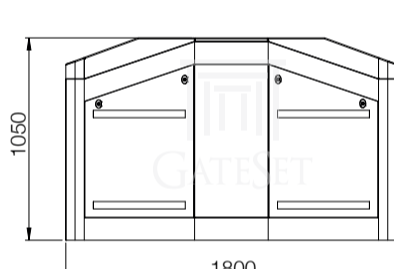


BusyLineGS-7000Datasheet v.2.0

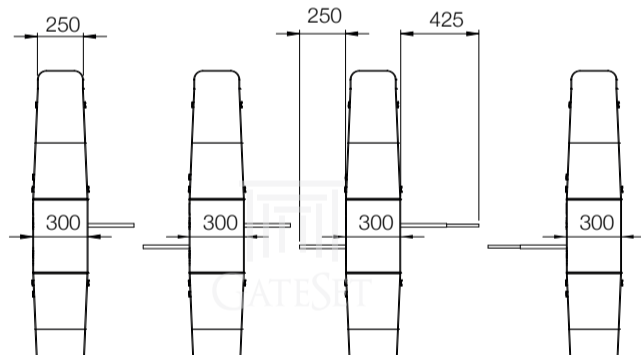
Drawings and Dimensions*



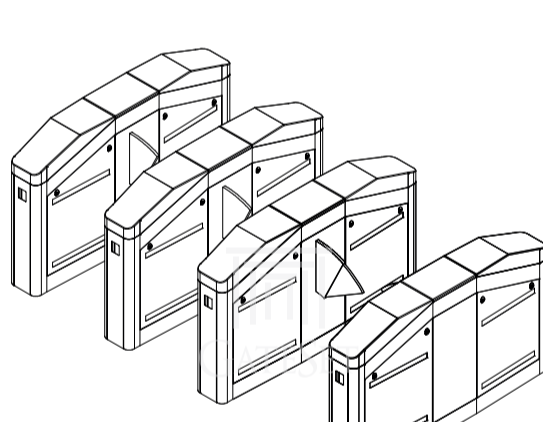
Front View (2+1 Layout)



Side View



TopView (2+1 Layout)



Isometric View

* Dimensions are given for 2+1 Passage Configuration. Subject to change depending on design or project needs without prior notice

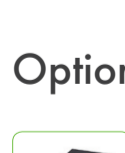
Technical Specifications*

MATERIAL - MAIN BODY	1.5 mm 304 grade stainless steel, satin finishing
MATERIAL - TOP COVER	1.5 mm 304 grade stainless steel, satin finishing
MATERIAL - INNER CASE	Reinforced with 5 mm horizontal and 3 mm vertical galvanized metal bars to increase strength
MATERIAL - OBSTACLE	25 mm thick Polyurethane obstacles with steel carcass
SIDE COVERS	Removable to provide easy access for servicing and maintenance
TREATMENT - OTHER PARTS	Optical sensors are covered with 3mm thick Plexiglas
DIMENSIONS (mm)	All other parts are coated against corrosion
OBSTACLE LENGTH (mm)	300 x 1800 x 1050
PASSAGE WIDTH (mm)	250 mm (Standard Wing), 425 mm (Disabled Wing)
WING HEIGHT	550 mm (Standard Passage), 900 (Disabled Passage)
OPERATING VOLTAGE	900 mm
POWER CONSUMPTION	115-240 V AC / 24V DC - 50-60 Hz
OPERATING TEMPERATURE	150 W (max) for single wing, 300 W (max) for double wings
ACCESS CONTROL	-20 °C / + 70 °C
SENSOR CONTROL	Highest end Omron PLC control for granting access. Easy integration with all kind of access control equipment, configured to receive free contact at standard
OCCUPANCY MONITORING	14 point (pairs) IR sensor control for N/O mode, sequential (switching) passage feature for N/C mode.
PASSAGE TIME-OUT	The system continuously monitors the status of the corridor and gives alarm in several cases
ENCOUNTERING	When a user occupies the lane without flushing a card, systems gives alarm after an adjustable time
ANTI-TAIL-GATING	In instances where the lane is not used when access is granted the system will give alarm after adjustable time-out duration is exceeded
POSITION DETECTION	When the lane is occupied from the opposite direction of the granted access, the system will give alarm
WARNING INDICATORS	When an unauthorized access attempt is made right after a valid access, system will give alarm and block access right after the valid passage (alarm/block access configurations are adjustable)
SIDE LED STRIPES	Position of the obstacle wings are detected by inductive switches
OBSTACLE MOVEMENT	Two separate warning indicators at front and rear sides of the gate.
SAFETY SENSOR	Green arrow indicates "Passage Open", Red red indicates "Passage Closed"
DIRECTIONAL MODE	Passage indication with side LEDs. Green for passage free, Red for passage blocked, Blue for standby
CAPACITY	Motorized movement by 24 V DC - 30 W brushless motor coupled with 50:1 gearbox.
OPERATION SAFETY	Speed control with encoder.
ELECTRICAL FAILURES	Middle safety IR sensor for preventing obstacle - user interference
EMERGENCY OPERATION	Unidirectional and Bidirectional operation features as "Only Entrance", "Only Exit", "Entrance and Exit"
INSTALLATION	Handling more than 30 passengers per minute
CERTIFICATION	Electrical and mechanical safety for all components. To avoid injuries, all corners and sides are rounded
WARFANTY	The wings are released automatically to be opened easily by hand
	Fail-Safe Wings will be remain it the current position (standard)
	Fail-Secure Wings automatically hide to ensure safe evacuation during emergency (optional)
	Ease of installation with mounting plate
	ISO 9001:2015
	2 Years

* Subject to change depending on design or project needs without prior notice

BusyLineGS-7000Datasheet v.2.0

Optional Accessories



DC Power Pack
 With DC Power Pack, wings can be configured to open automatically in case of power failure



Button Control Panel
 Designed for ease of operation from security or supervision desks, remote or wired options

Finishing Options

- Standard** - 304 Stainless Steel, Satin Finishing
- Optional** - 316 Grade Stainless Steel, Satin Finishing
- Optional** - Powder Coating with Anti-Rust Layer and Heat Treatment (RAL Colours Available)